

**witt**

S P O R T

Witt Smart Run Pro



User guide EN: 2-34

Table of contents

TECHNICAL SPECIFICATIONS	2
SAFETY INSTRUCTIONS	3
LIST OF PARTS	5
OVERVIEW	6
INSTALLATION GUIDE	7
SYSTEM SETTINGS AND SHORTCUTS.....	13
MAIN FUNCTION AREAS.....	13
MULTIMEDIA GUIDE	20
CONFIGURE AND PERSONALIZE THE TREADMILL	25
UPLOAD IMAGES TO THE TREADMILL	25
REMOVE IMAGES FROM THE TREADMILL	28
CLEANING AND MAINTENANCE.....	30
MAINTENANCE FOR TREADMILLS.....	33
WARRANTY AND SERVICE	34

Technical specifications

- 1. Input voltage: 220V±15 % (50Hz or 60Hz)**
- 2. Motor strength: 3.0 hp (max 8 hp)**
- 3. Surrounding temperature: 0-40 C°**
- 4. Speed range: 1-20 (km/h)**
- 5. Sloping: 0-16 %**
- 6. Time display: 00: 00: 00-99: 59: 59 + (minutes : seconds)**
- 7. Distance range: 0-999+ (kilometre)**

THIS MANUAL SHOULD BE READ CAREFULLY BEFORE EXERCISING AND STORED FOR LATER USE

Safety instructions

In order to reduce the risk of burns, fires, electric shocks or personal injuries, please read the following warnings and safety instructions before using the treadmill.

1. The treadmill's maximum weight tolerance is 180 kg for one person at a time.
2. The treadmill is only suitable for indoor use.
3. Keep objects, children and pets away from the treadmill to avoid damage and injury to them.
4. Use the treadmill on a solid and plane surface and be careful when changing position and moving on it.
5. Keep the treadmill away from water, moisture, heat and fire.
6. To avoid electric shock, you must never drop or insert any items/ objects in any of the machine's openings. Do not insert fingers or other body parts into the machine.
7. Do not use accessories for the treadmill that are not recommended by the manufacturer. Accessories can cause personal injuries.
8. **MAKE SURE THAT THE TREADMILL IS CORRECTLY GROUNDED.**
Always inspect the power cord for damage before use and make sure that there is a good electrical connection to the treadmill. Make sure that the voltage of the power supply matches that which is stated on the power cable.
9. Do not wear clothing that can be caught up in one of the treadmill's components. Wear appropriate clothing.
10. Place your feet on the edges before powering on the treadmill. Never power up the treadmill at a high speed setting and then attempt to jump up on it!
11. The pulse sensor is not a medical device or instrument and is only for guiding purposes. Several things, including the user's motions, can impact the preciseness of the sensor.
12. Before starting to use the treadmill, you should consult your doctor to determine if you have any physical or health-related issues that can pose a risk to your health and safety or prevent you from using the treadmill properly. Your doctor's advice is critical if you are taking medication that impacts your pulse, blood pressure or cholesterol levels.
13. Select a speed setting that matches your level of fitness.
14. The treadmill should never be left unattended when it is plugged in. Remove the plug from the socket when it is not in use and also before adding or removing parts.
15. Children under the age of 12 must **NEVER** use the treadmill. Keep pets and children under the age of 12 away from the treadmill.
16. Never use the treadmill during thunderstorms to avoid electric shocks.
17. Do not use the treadmill for excessive periods of time (no more than 17 hours) - if you uses it excessively it can damage the motor and the machine's display and reduce the lifetime of the treadmill.

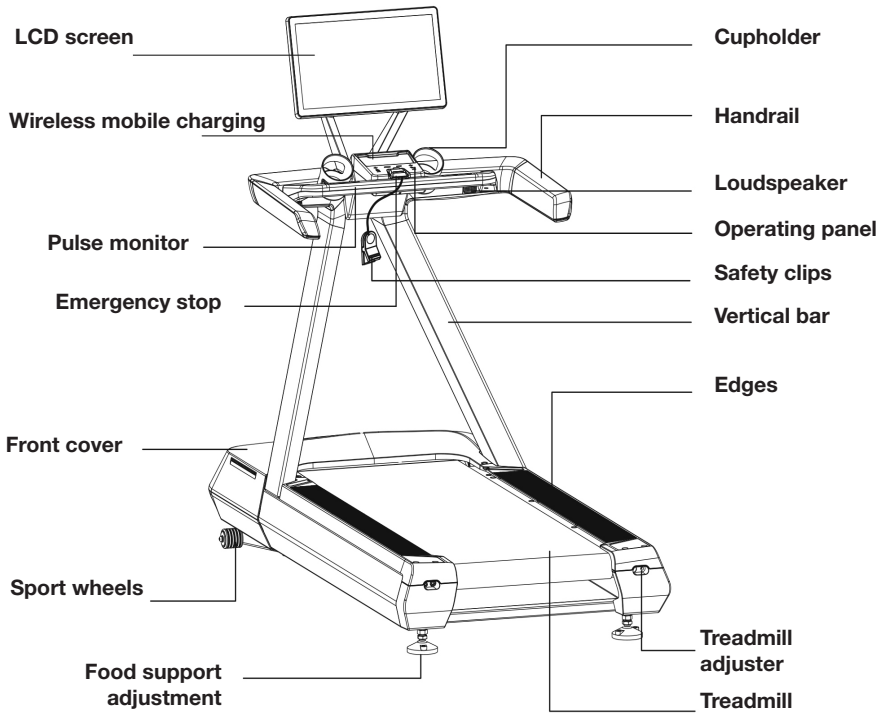
18. Never touch moving parts.
19. Stop using the treadmill if you feel ill at ease or if something is wrong with the machine.
20. Be particularly attentive when using the treadmill if you have long hair. It is recommended to tie your hair up so that it cannot get stuck in something.
21. If you experience any kind of pain, including but not limited to chest pain, feeling unwell, dizziness or shortness of breath, you should stop exercising immediately and talk to a doctor before continuing. Incorrect or excessive exercising can result in damage to your health.
22. Never use the treadmill if the cord or wire are damaged. Contact your local retailer if you need replacement parts or repairs.
23. The treadmill may not be used by children or people with impaired physical, sensory or mental abilities or those with lack of experience and knowledge unless they are sufficiently monitored and instructed in how to use the device correctly.
24. Even when supervised, children must never use the treadmill for play!
25. It is important that the treadmill is only used indoors in a sufficiently temperate and dry room to avoid static electricity. Be particularly attentive to this during winter. Static electricity can be disturbing and even damage the product. Synthetic fibres and materials can also generate static electricity. Avoid using the treadmill if you are wearing clothing made of synthetic materials.

Thank you for choosing Witt Smart Run Pro, which makes it fun to go for a run! We hope the treadmill will give you lots of good and new running experiences.

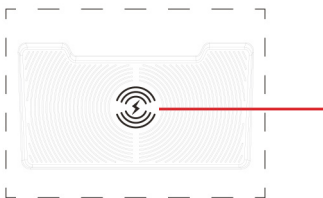
List of components


No.	Name	
1	Main frame	1
2	Electronic clock	1
3	Holder for electronic clock	1
4	Handle	1
5	Vertical bars	2
6	Screw M6*12	2
7	Screw M6*16	4
8	Screw M8*85	4
9	Screw M10*30	11
10	Curved washer M6 (black)	4
11	Curved washer M6	4
12	Curved washer M8	4
13	Curved washer M10	11
14	Flat washer M6	4
15	Tools	1 set
16	Oil	1

Overview



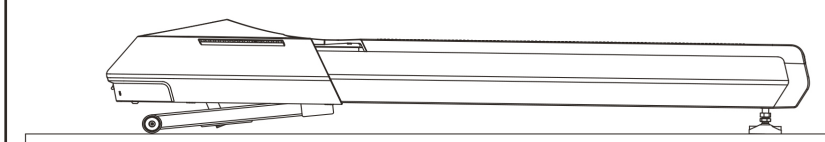
Wireless mobile charging



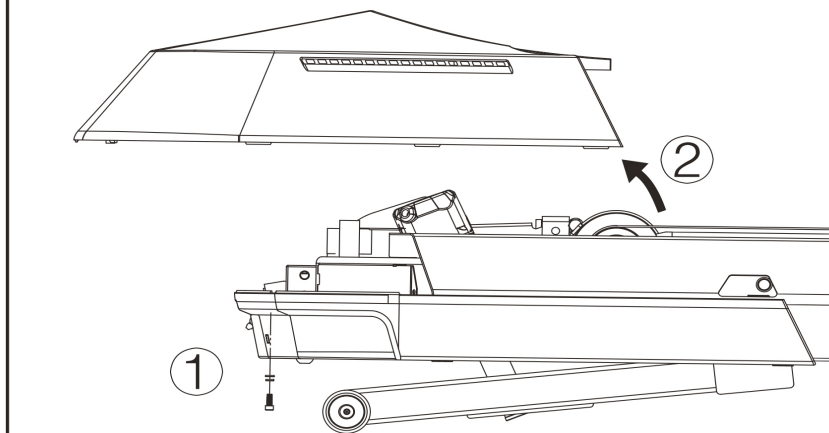
1.  Wireless charging is only supported for mobile phones that meet the Qi standard.
2. Depending on the type of mobile phone, the signal location for wireless charging may be placed differently. In general, it is recommended to place the phone by the bottom right corner of the charging area. If it fails to charge, turns the phone 180 degrees or place it on the bottom left corner.
3. Do not place metal objects in the charging area as wireless charging does not work through conducting magnetic materials such as metals, etc.
4. The protective cover on the mobile phone will reduce the efficiency of the wireless charging. If the cover is too thick or made of metal, it will not be possible to charge. If you are having issues with charging, try removing the cover and see if that makes a difference.

The manufacturer reserves the right to make product changes and improvements without prior notice.

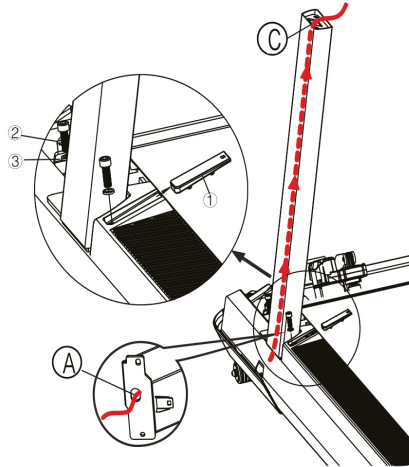
Installation guide

1

Remove the treadmill from the box and place it on the floor.

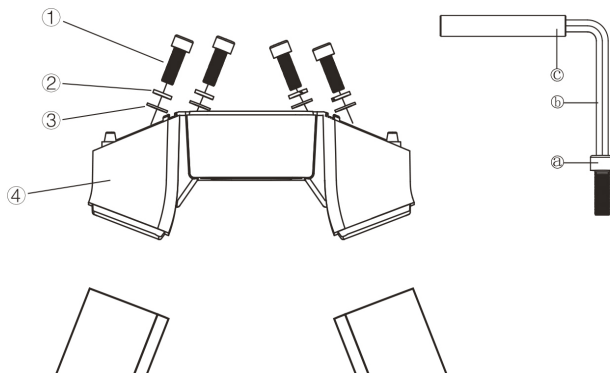
2

Remove the two M5 screws from the front cover of the motor and open the cover diagonally.

3

1. Press one side of the vertical bar so that the cover slides out **(1)**
2. Connect the data cable to the bottom of the bar with the metal bundle from the left vertical bar, pull through holes A and C at the bottom of the left bar.
3. Insert the vertical bar, attach the two M5 screws **(2)**, but do not tighten them yet.

1) Cover for vertical bar	1 x
2) Top screw M10*30	4 x
3) Washer M10	4 x

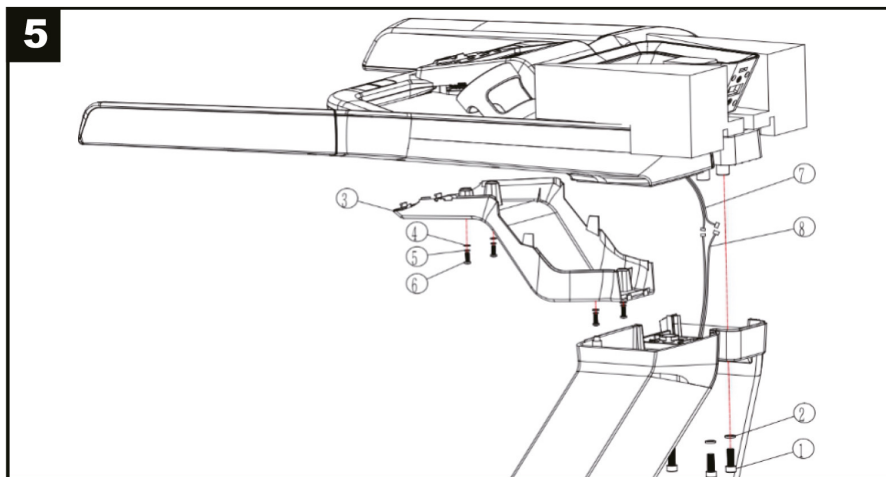
4

Attach the connector **(4)** to the left and right bars and tighten with screws **(1)**.

Then tighten all screws from step 3.

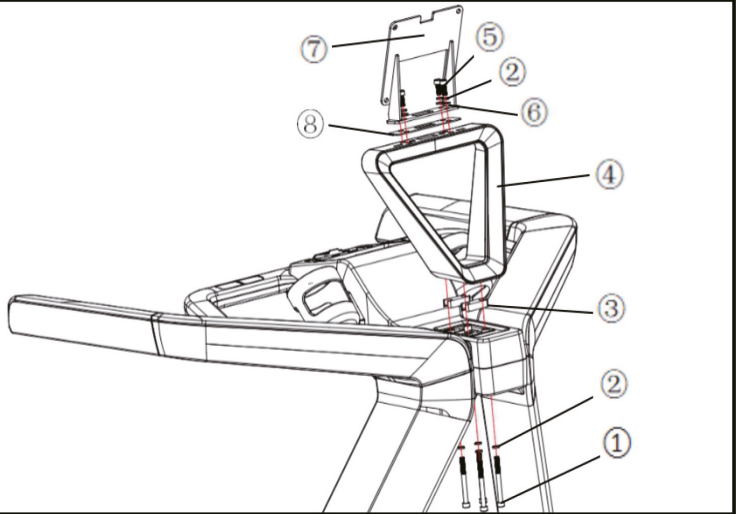
Please note: When a screw is tightened, use the extension piece **(c)**. Attach it to the end of the hex key **(b)** to increase turning momentum.

1) Top screw M10*30	4 x
2) Washer M10	4 x
3) Flat washer M10	4 x
4) Connector	1 x



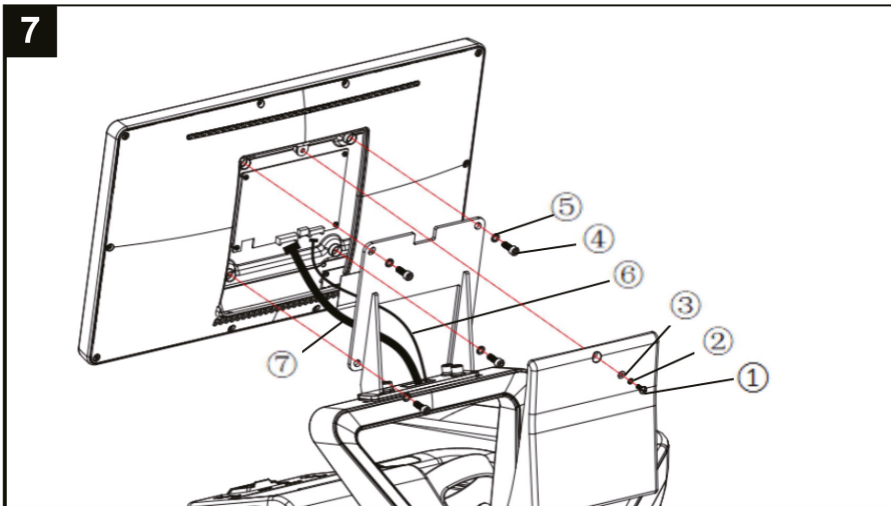
1. Loosen the screw **(6)** and remove the cover from the holder for the electronic clock **(3)**. Attach the bottom part **(8)** of the power line to the top part **(7)**.
2. Place the holder with the electronic clock on the connector and lock it tight with screws **(1)**.
3. Now fasten the bottom cover **(3)** to the holder for the electronic clock with screws **(6)** and curved washers **(5)** and flat washers **(4)**.

1) Screw M10*30	3 x
2) Curved washer M10	3 x
3) The bottom part of the holder for the electric clock	
4) Flat washer $\text{Ø}10 \times \text{Ø}5.3 \times 1$	4 x
5) Curved washer M5	4 x
6) Screw M5*16	4 x
7) Top part of the power line	
8) Bottom part of the power line	

6

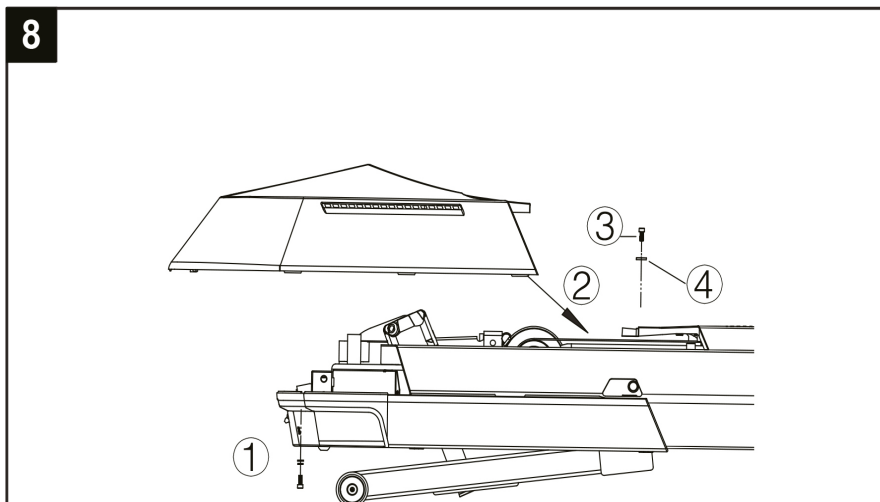
1. Lift the triangular cover **(4)** and insert the rubber washer **(3)** (the side with grooves should face downwards). Use the screw **(1)** and fasten the holder to the electronic clock thoroughly. When using screws to fasten the holder to the electronic clock, be attentive to adjusting the support frame's levelling.
2. Place the soft washer **(8)** before the display cover **(7)** on the triangular cover **(4)** and then use the screw **(5)** to fasten the display cover. Place the display on the frame.

1) Screw M8*85	4 x
2) Curved washer M8	8 x
3) Rubber washer	2 x
4) Triangular cover	1 x
5) Screw M8*20	4 x
6) Flat washer M8	4 x
7) Display cover	1 x
8) Soft washer	1 x



1. Loosen the star screw **(1)** on the electronic clock's back cover and insert the USB cable **(6)** and the connector cord to the motherboard **(7)** in the electronic clock.
2. Fasten the LCD screen to the cover with screws **(4)** and fasten the back cover of the electronic watch with the screw **(1)**.

1) Screw M5*15	1 x
2) Washer M5	1 x
3) Flat washer Ø10*5.3*1	1 x
4) Screw M6*15	4 x
5) Washer M6	4 x
6) USB cable	1 x
7) Connector cord to the motherboard	1 x

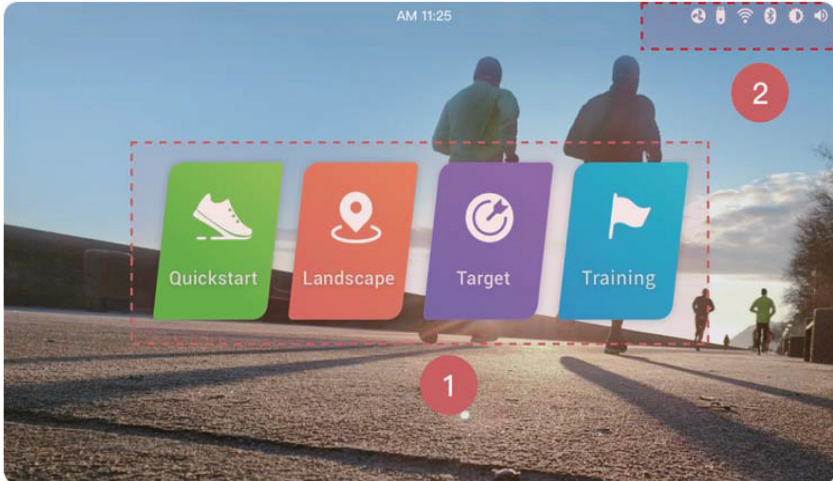


When the whole machine is connected, the holder with the electronic clock can be reinstalled together with the back cover for the LCD screen and the cover for the left and right bars. Finally, fasten the front cover for the motor with screws **(1+3)**. You have now completed the installation of the treadmill.

System settings and shortcuts

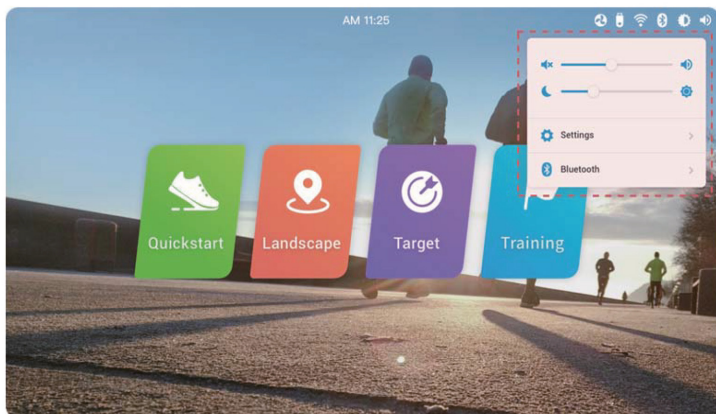
Start page

When you have started the treadmill, you first need to access the start page. The start page's interface is divided into two interactive areas as shown below:



Name	Description
<p>①</p> <p>Main functions</p>	<p>Main functions include all running training programmes on the treadmill in question. Choose between the various programmes as you prefer. Below you will find a detailed overview of each individual programme.</p>
<p>②</p> <p>Status and shortcuts</p>	<p>This section contains hardware-related status displays and shortcut settings. Supports an auto-update of time display on the start page. USB port, Bluetooth and status for wireless network connection. Press on the icon in the area to open the interface shortcut settings to quickly help the user connect to Bluetooth devices, adjust the light on the display and the loudspeaker volume.</p>

The user can open the shortcut menu via system settings and shortcuts in the top right corner on the start page as shown below:



The user can adjust volume, sound and Bluetooth settings via the menu. The advanced settings are not a user menu, but the treadmill's operating menu is meant to be used only by service personnel. (There is a separate manual for this).

Main functions

The main function area includes four running training programmes. Below there is a description of the programme functions:

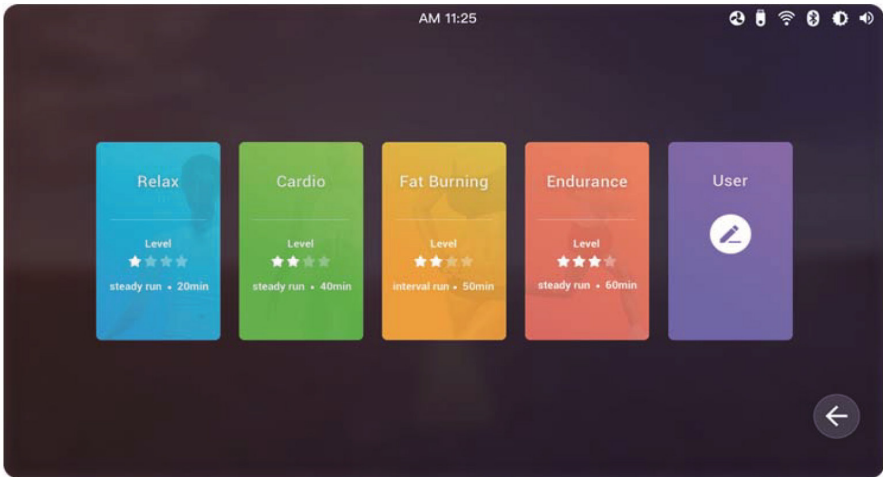
Programme	Description
Quick start	Quick start makes it fast and easy for the user to start using the treadmill and start running.
Landscape	This setting allows the user to select a 'real world' environment for the run so that one feels like one is running outside in some exciting environments.
Target	This setting is intended for the user to specify his/her own training objectives in terms of: running time, running distance and burning of calories. The programme allows the individual user to customize his/her training targets based on needs and desires.
Train	This setting offers a broad range of different training options and is well-suited for users with specific running objectives, i.e. burning fat or training endurance.

*Please note:
As the treadmill's software is continuously updated, the current interface might not be a complete match with the interface reviewed in these instructions. Please follow the current interface as the instructions are only meant to be a reference.



Training

TRAINING SETTINGS: Access the Training Mode interface by clicking on the Training icon. The training options below will be shown in the menu:

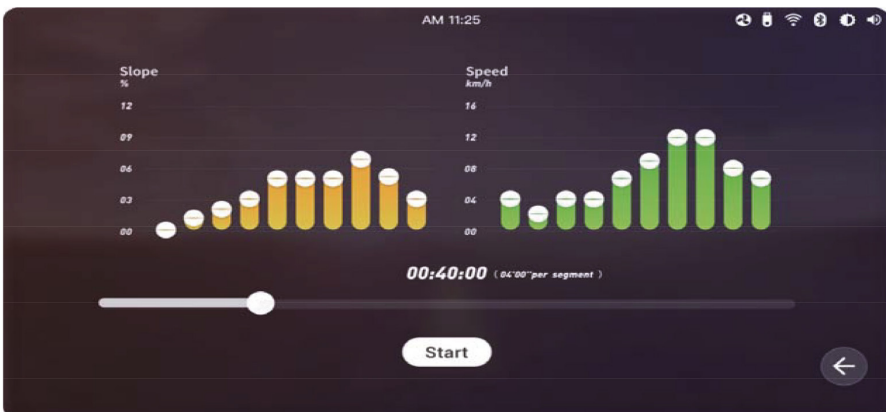


This menu contains for pre-set training programmes and user-defined programmes, and the user can select a programme as desired.

The four pre-set programmes determine the length of the run and divides the entire running process into ten steps, where speed and incline are defined in advance for each step so that it becomes easier for the user to just concentrate on running.

If the user is not satisfied with the four pre-set training programmes, they can be adjusted.

The user can adjust the following settings for each step: running time, incline and speed, as shown below:





TARGET SETTINGS: Access the Target mode interface by clicking on the Target icon. The training options below will be shown in the menu:



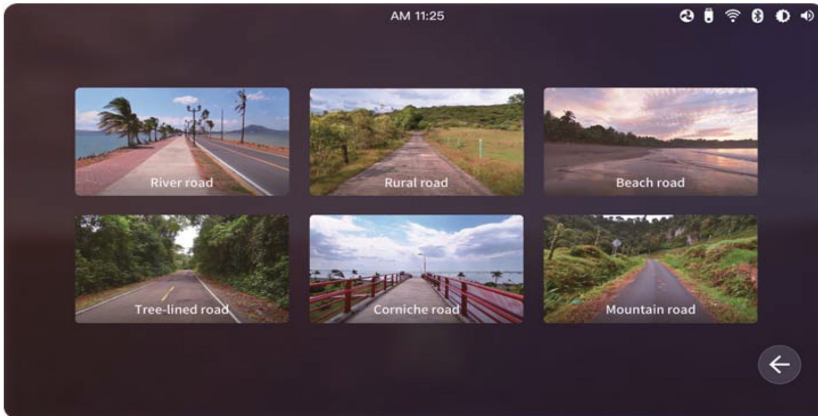
Select the desired training programme and specify your target values. You can select between three countdown functions:

Type	Option	Description
Mileage	2/4/6/8/mini Marathon/ half Marathon / Marathon / User-adjusted	Specify the distance you want to complete. Once the run is underway, the distance will be reduced by the number of kilometres moved. When you hit 0, the running programme will stop.
Time	15/30/45/60/90/120/150/ user-adjusted minutes	Specify the time you want to complete your run on. Once the run has begun, the timer will start its countdown. When you hit 0, the running programme will stop.
Calorie	100/200/300/400/500/1000/ 1500/user-adjusted	Specify the target for your desired burning of calories. Once the run has begun, the number of calories will gradually begin ticking down. When you hit 0, the running programme will stop.

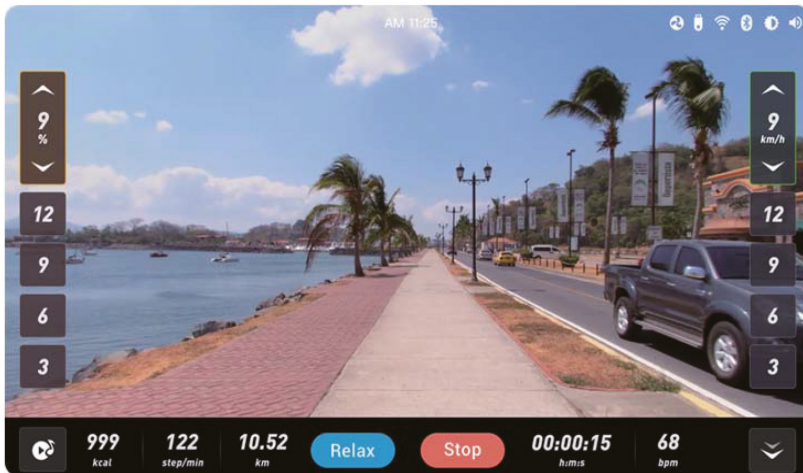


Landscape

AUTHENTIC ENVIRONMENTS: Access the Landscape interface by clicking on the Landscape icon. The training options below will be shown in the menu:



The user can select the training environment he or she wants to run in. If, for example, the user chooses the “Beach” environment, the run will start in an authentic beach environment as shown below:

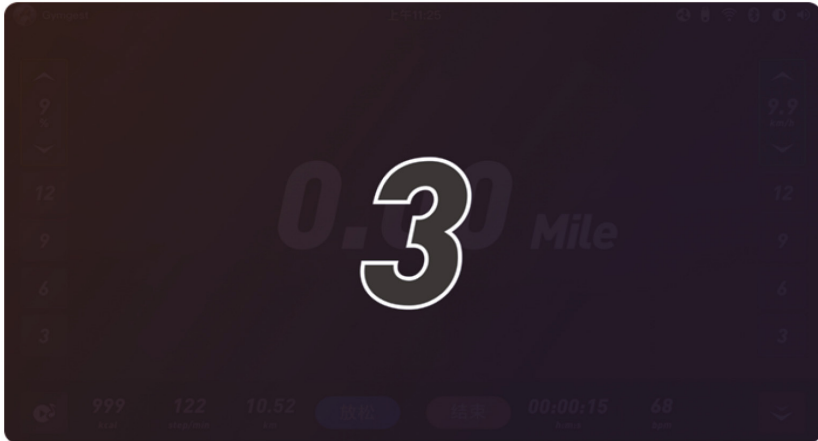


The user is free to adjust the speed settings via the settings area on the right side of the display. The changes in speed that are made on the display correspond to the speed that you are running at. There are two ways to configure, specify and adjust the speed by. You can configure the three specific speeds to 3/6/9/12 or you can use the up and down arrows to make smaller adjustments. The adjustments are made at intervals of 0.5.

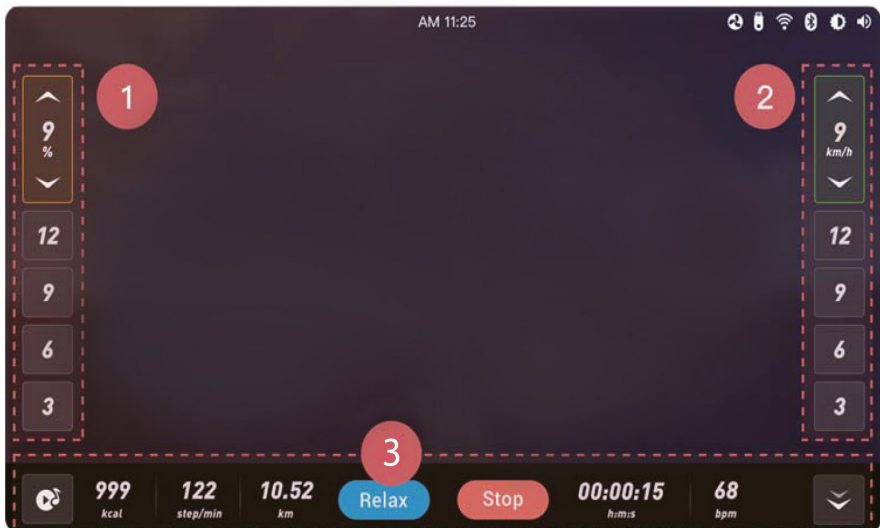


Quick start

QUICK START: Access the Quick Start interface and start the countdown function by clicking on the Quick Start icon as illustrated below:



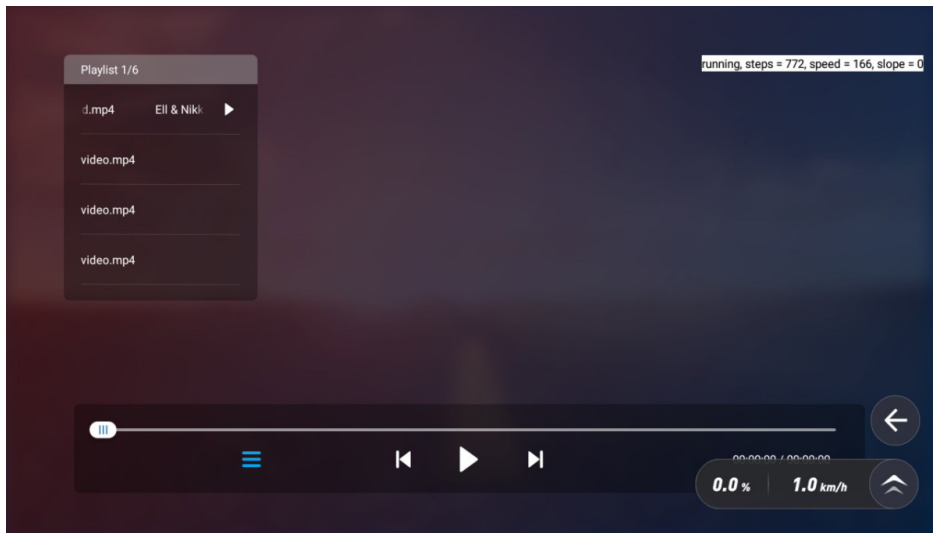
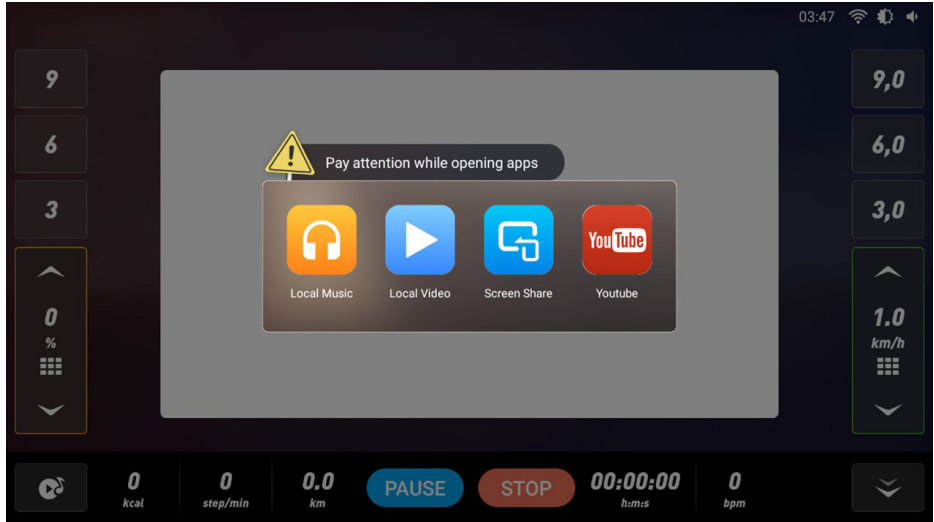
The interface is divided into three parts.



Area	Description
<p style="text-align: center;">1</p> <p style="text-align: center;">Incline settings</p>	<p>There are two ways to specify incline degrees and incline areas. You can specify the four specific inclines of 3/6/9/12 or you can use the arrows on the left side to make adjustments. One push of a button equal one incline interval change.</p>
<p style="text-align: center;">2</p> <p style="text-align: center;">Speed settings</p>	<p>There are two ways to adjust speed settings. You can specify the four specific speeds of 3/6/9/12 or you can make adjustments using the up and down arrows on the right side. The adjustments are made at intervals of 0.5.</p>
<p style="text-align: center;">3</p> <p style="text-align: center;">Running data display and functions</p>	<p>Shows the user's running data and contains several interactive features. Running data includes: calories, steps per minute, running distance, running time and pulse data. Includes: multimedia features, a Relax programme (pause), Stop (stops the treadmill), hide all settings AND the bottom bar with data on it.</p>

Multimedia guide

During training, the user can click on the multimedia button in the bottom left corner to access the multimedia list and click on the desired app as shown below:



1. Local music player: the unit is connected to a USB drive, so if you have music saved on a USB stick you can play it by clicking on the audio files on the USB drive.
2. Local video playback: the unit is connected to a USB drive, so if you have video files saved on a USB stick, you can view them by clicking on the files on the USB drive.
3. Play audio/video from your mobile device
4. Use the YouTube icon and find what you want to play.

Option 1: Shared saved images, videos or music files from your mobile device:

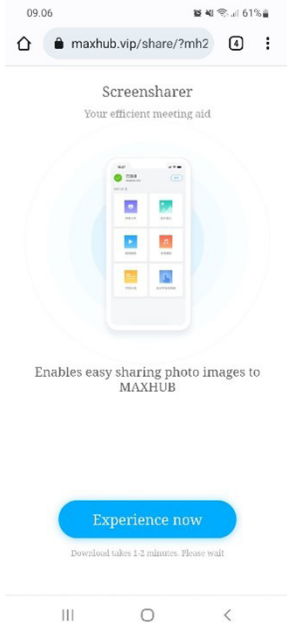
iOS

- (1) Connect the treadmill and mobile device to the same WiFi.
- (2) Download the “MAXHUB share” app on your mobile device. Click on the “Screen Share” icon to open the app on the treadmill. Open the app on your mobile device and scan the QR code or access the code from the treadmill’s display to connect to the treadmill.
- (3) When a connection has been made, you must allow access to your images, videos and music on your phone. Click on audio/video in the app to begin playing files that will automatically be shared with the treadmill.

Android

- (1) Connect the treadmill and mobile device to the same WiFi.
- (2) Click on the “Screen Share” icon to open the app on the treadmill. Download the “Screen Share” app on your mobile device by scanning the QR code from the treadmill’s display. See below:



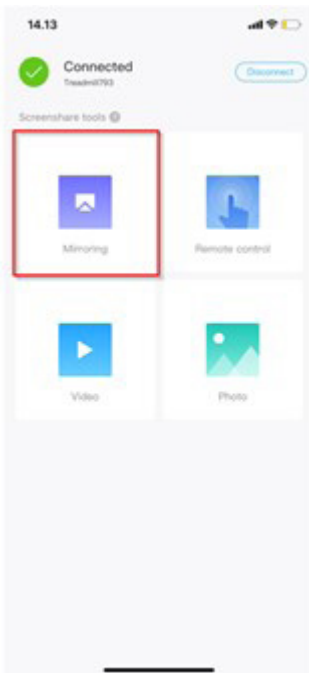


(3) Open the app on your mobile device and scan the QR code again or enter the code from the treadmill's display to create a connection to the treadmill.

(4) When a connection has been made, you must allow access to images, videos and music on your phone. Click on audio/video in the app to begin playing files that will automatically be shared with the treadmill.

Option 2: Share the screen on your mobile device:

- (1) Open the “Screen share” app on the treadmill.
- (2) Open the “MAXHUB Share” (iOS) or “Screen Share” (Android) on your mobile device. Click on “Mirroring” in either “MAXHUB Share” (iOS) or “Screen share” (Android). See the image on the left:

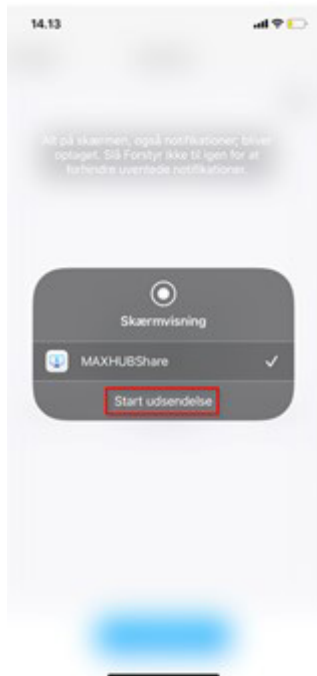


(3) Click “Start” to share content from your mobile device with the treadmill’s display. Swipe away from this page and open a media/video app on your mobile device and play it. The screen will be shared with the treadmill.

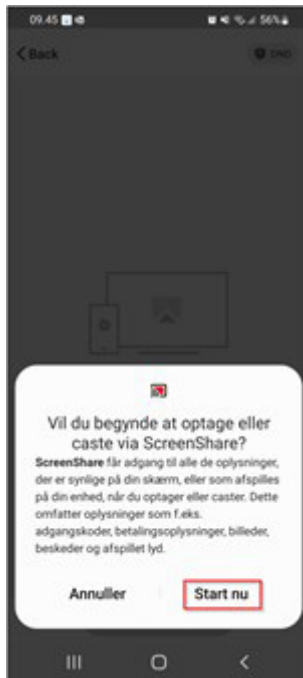
***Please note: Some video apps do not support this functionality.**

See image below:

iOS

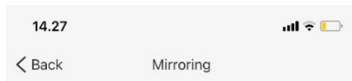


Android



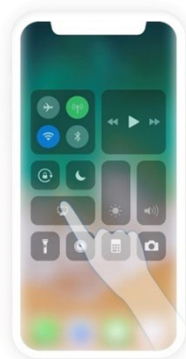
Option 3: Share the screen from your mobile device (only applies to iOS):

- (1) Open the “Screen share” app on the treadmill.
- (2) Access the control settings on your mobile device.
- (3) Select “Screen Mirroring” - see the image below:
- (4) Select “Threadmill793” to connect to the treadmill. Then the screen on your mobile device will be shared with the screen on the treadmill.
- (5) Go into a streaming service on your phone, click on a video to play it and then click on “TV” or other mirror icons above the video. **Please note: Some video apps do not support this functionality.**



Mirroring Guide

1. Enter the Control Center
2. Choose Screen Mirroring
3. Select Treadmill793

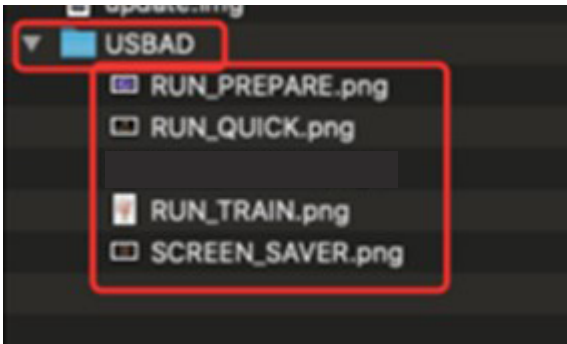


Configure and personalize the treadmill

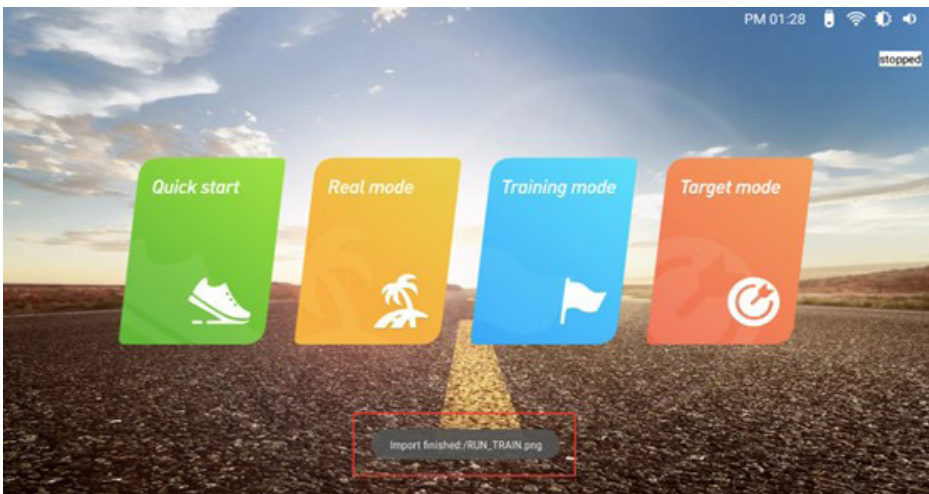
● Upload images to the treadmill

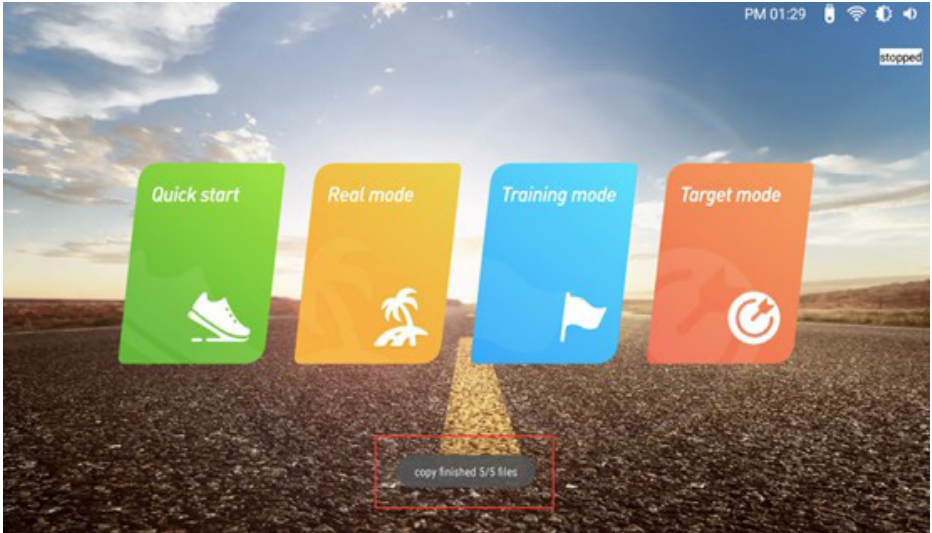
Create a “USBAD” folder in the USB drive’s root folder on your computer. Images that you want to upload must be saved in a PNG format in the folder and the images must be named according to the following specifications:

1. Standby Screen Saver Page: SCREEN_SAVER.png (Resolution: 1920 × 1082)
2. Run Prepare Page: RUN_PREPARE.png (Resolution: 1920 × 1082)
3. Quick Run Page: RUN_QUICK.png (Resolution: 1280 × 720)
4. Training Mode Page: RUN_TRAIN.png (Resolution: 400 × 600)



Insert the USB stick and wait until the uploading process is completed.
See the image below:



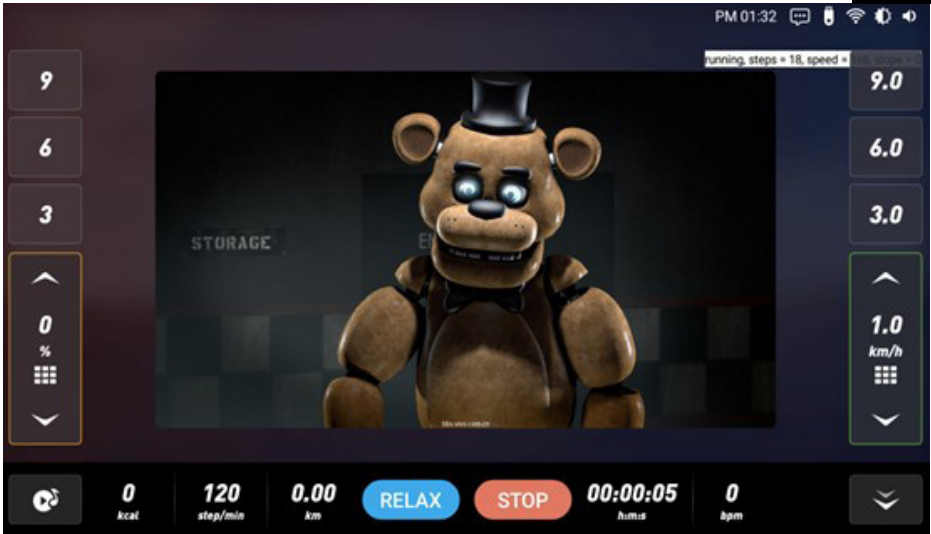


(As illustrated above, the system will show the importing of your images one by one).

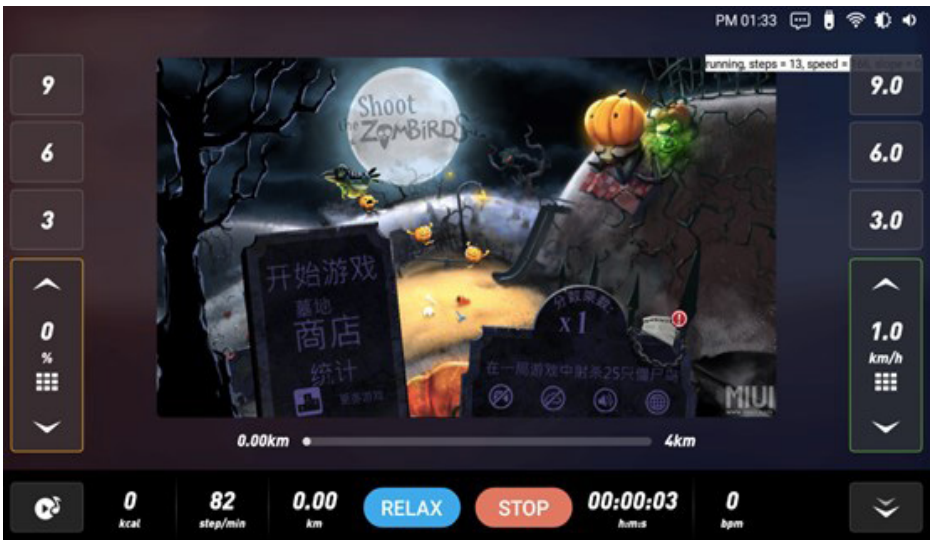
EXAMPLES OF IMAGES (4 images in total)



(Run Prepare Page) (example 1)



(Quick run Page) (example 2)



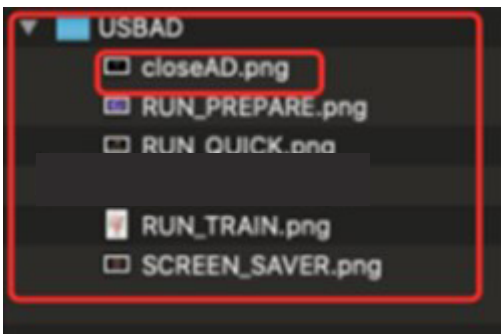
(Training Mode Page) (example 3)



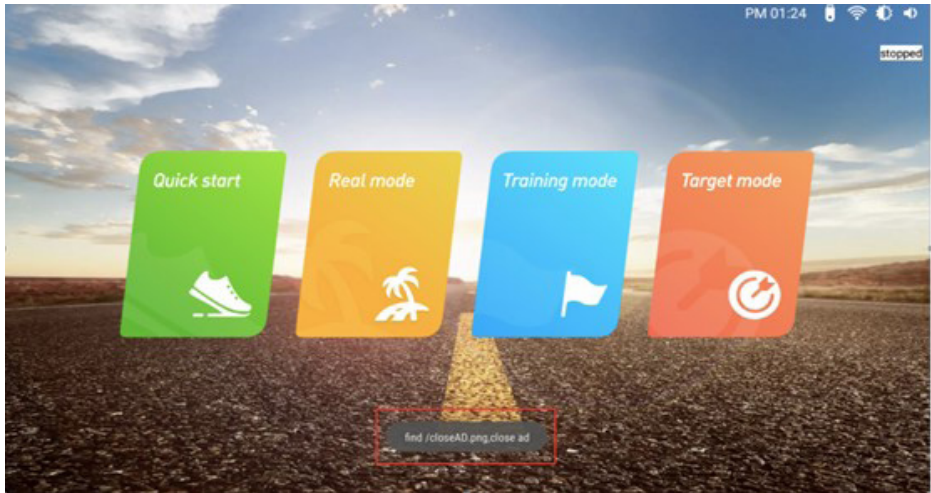
(Standby Screen Saver Page) (example 4)

● Remove the images from the treadmill

You need to open the “USBAD” folder on your USB stick and then you need to select a random picture among those uploaded to the treadmill and change the name of the image to “CLOSEAD”. Then all pictures will be deleted. See below:



Insert the USB stick and wait until the uploading process is completed.



Verify that all images have been removed.

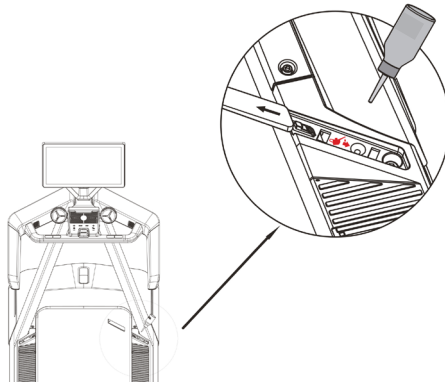
Cleaning and maintenance

This treadmill needs to be oiled manually. The friction between the treadmill and the plate is runs on is very important for the functionality of the treadmill and it must therefore be lubricated regularly.

When the control unit in the treadmill registers that either the total distance or total time have reached the preconfigured value, a pop-up box will appear on the screen and indicate that it is time to refill the oil. Always remove the plug from the socket before removing the cover.

Open the cover under the right vertical bar and slowly drip some silicone oil (which comes with the machine) into the hole while the machine is running at a slow speed (3 km/h). Refill with 15 ml at a time.

Tip: Vacuum the motor at least once per year.



WARNING!

Please make sure that **NO** fluids enter the machine or the electronic components, as this can cause damage to the machine.

Unplug the machine before cleaning or maintaining it. If these instructions are not followed, the warranty will lapse.

The machine should not be exposed to high levels of moisture or direct sunlight.

Cleaning

Ordinary cleaning will extend the operational life of the treadmill.

Dust the treadmill off regularly. Do not forget to clean the four edges on each side of the treadmill band itself and the edges on the frame. This prevents dust and dirt from accumulating under the treadmill band itself. Use clean shoes.

The top side of the treadmill can be cleaned with a tightly wrung rag, and you can add some dishwashing soap to that if you like. Water must not get into the treadmill's framework or into the underside of the treadmill band itself.

About the treadmill

The treadmill is made from special materials and has a strong pull power; the underlying layer has a double shock-absorbing effect and a durable surface.

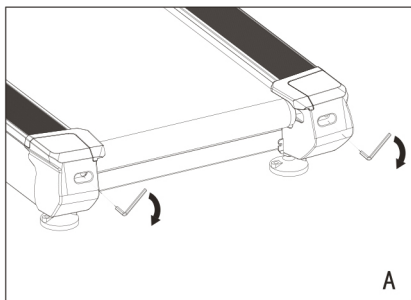
Adjustment of the treadmill

All treadmills are adjusted before leaving the factory. However, things may loosen up after an extended period of use. The treadmill loosening up is not covered by warranty and is generally considered to be part of a normal maintenance by the user.

Tighten up the treadmill. Take the hex key and pull the plug out of the socket. Use the hex key to turn the rear right and left adjustment screws 1/4 rotation clockwise. Stand on the treadmill and test if the treadmill band is tight enough. When it is sufficiently tight, it should be possible to lift it 5-6 cm on each side. Make sure to keep the treadmill band centred.

Now reconnect it to a power source and let the treadmill run for a few minutes.

Repeat the above until the treadmill band is sufficiently tightened.



Important! Please note that tighter is not better - it needs to be adjusted correctly. If the treadmill becomes too tightly adjusted, it will reduce its lifetime.

Adjusting the treadmill if it pulls to the sides

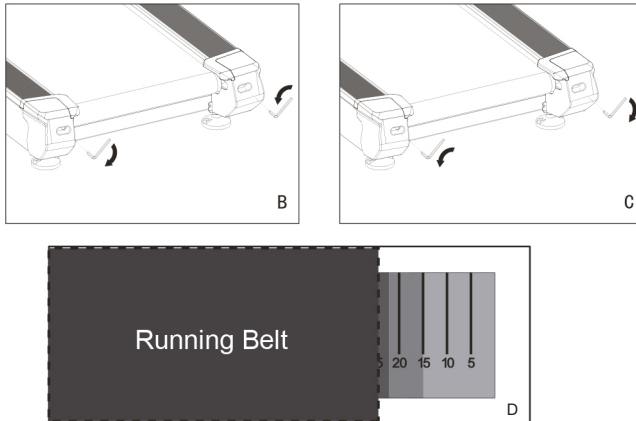
After the treadmill has been used for a period of time, users may find that it pulls to the sides. There can be two reasons for this:

- 1) The treadmill is not in an even and level position.
- 2) The user's feet are not in the middle of the treadmill while training.
- 3) The user's feet move with uneven pressure on the treadmill.

How to adjust the treadmill band if it is pulling to the sides

Generally, the treadmill band will adjust by itself after having run for a few minutes. However, if the treadmill band keeps pulling to the sides, the bolt at the end of the treadmill band can be adjusted with a hex key by turning it in half circles. If the band is pulling to the left, adjust the left bolt *clockwise* or the right bolt *counter clockwise* (B). If the band is pulling to the right, adjust the other way (C). Repeat the procedure until the treadmill band is no longer pulling to the sides but instead is centred. (The sides of the band must be within the area marked in green) (D). The treadmill pulling to the sides is not covered by warranty as it is considered part of the user's normal maintenance work.

Please note: The treadmill can be seriously damaged if it is pulling to the sides, so the user has to find the reason for it and correct it in good time.



Maintenance form for the treadmill

MAINTENANCE OF	SPECIFICALLY	IM-PORTANT	Maintenance imposed on the user			Maintenance imposed on the manufacturer		What should I do/use?
			Daily	Weekly	Monthly	Quarterly	Every six months	
General impression	Cleaning the treadmill	X	Clean					Soft rag / Vacuum cleaner
	Edges		Clean					Soft rag / Vacuum cleaner
	Cleaning the operating panel		Clean		Inspect			Soft rag / Vacuum cleaner
	Cleaning the handle		Clean					Soft rag
	Clean under	X			Clean			Vacuum cleaner
	The mainframe screws				Inspect			Tools
	Is the plug inserted correctly into the socket	X	Inspect					
Operating panel	Emergency stop	X	Inspect					
	Pulse sensor			Inspect				
Treadmill band	Damaged band			Inspect	Inspect			
	Too tight/loose?	X	Inspect					Hex key
	Uneven band	X	Inspect		Inspect			Hex key
Running Board	Does the band need to be oiled?	X		Inspect				
	Are there furrows or cracks?				Inspect			
	Tighten the screw				Inspect			
Motor room	Clean	X			Turn off and clean			Vacuum cleaner
	Is there more silicone oil in the container?	X			Inspect, refill			Original oil
	Cracks in front wheel/cylinder				Turn off and clean		Inspect	Vacuum cleaner/brush
	Cracks in the motor strap				Turn off and clean		Inspect	Vacuum cleaner/brush
Wheels	Sounds differently				Inspect		Inspect	

1. Turn the motor strap around manually when cleaning the strap and treadmill band.
2. NEVER use abrasive detergents or disinfectants to clean the treadmill.
3. Use a dry rag or a vacuum cleaner to clean the treadmill.
4. Never let water get into the frame of the treadmill or on the underside of the treadmill band itself. Do not use a wet rag for cleaning.
5. Most operating errors on the treadmill are due to insufficient or wrong maintenance. Make sure to maintain your treadmill on a regular basis.



The symbol means that the product should not be disposed of together with normal household waste but instead delivered to an authorized recycling station that is intended for this purpose or to a retailer that offers disposal services. Contact your local municipality/council/etc. if you need more information.

WARRANTY AND SERVICE

There is a 2-year warranty period if your new product stops working due to manufacturing or material faults which begins from the documented date of purchase. The warranty covers materials and the cost of labour. When inquiring about service, please state the product name and serial number. You can find this information on the type plate. You can write down the information here in these instructions so that you have them at hand. This makes it easier for the service technician to find the correct spare parts.

The warranty does not cover:

- Faults and damage that are not due to manufacturing or material issues
- Damage caused by failure to properly maintain the device - including failing to clean it
- Fire and/or water damage or moisture damage on the product
- Damage caused during transport if the product was transported without proper packaging
- Damage caused by the use of unoriginal spare parts
- Damage resulting from failing to follow the instructions on how to use the device
- If the device has not been set up/assembled as specified in the instructions
- If non-professionals have installed or repaired the product
- Batteries or any other parts subject to normal wear and tear
- Outside the following countries: Denmark, Norway, Sweden, and Finland.

Damage during transport

If the product is damaged during transport and this is discovered when the retailer delivers the product to the customer, this is exclusively a matter between the customer and the retailer. In cases where customers have handled the transport of the product themselves, the supplier shall not be liable for any potential damage during transport. Any damage caused during transport must be reported immediately and no later than 24 hours after the product has been delivered. If not, the customer's claim will be rejected.

Unnecessary service

If the product is sent in to be serviced and it turns out that the fault could have been fixed independently by following the product's instruction manual, the customer will need to pay the service fee.

Commercial purchases

Commercial purchases are all purchases of devices that are not intended to be used in private households but instead intended to be used for commercial purposes (in restaurants, cafés, canteens, etc.) or intended to be rented out or otherwise used by multiple users in turn.

There is no warranty offered for commercial purchases, as this product is only intended for regular household use.

SERVICE

For service and spare parts in England and Ireland please call below-mentioned number and you will be directed accordingly or send us an email.

Witt UK & Ireland Ltd.
(44) 148 351 6633 / info@witt.dk

We accept no liability for printing errors.

The manufacturer/distributor cannot be held liable for damage to products or individuals if the safety instructions were not followed. The warranty shall not cover cases where the instructions have not been followed.